

DWR 6130 Vibration proof resistance thermometer

Design

Designed for heavy duty marine applications

Type Approval

LLoyds Register Marine

Category

LV2000 range

Protection tube

Construction

Closed-end tube

Material

SS 316 - (Wst 1.4401) standard, other materials possible

Insertion length

100mm standard, other lengths possible

Process connection

1/2" NPT, 3/4" NPT, 1/2" BSP or M20x1.5

Extension length

100mm standard, other lengths possible

Connection head

Material

Aluminium, plastic or stainless steel

Cable entry

M20x1.5 cable gland standard, other threads possible

Measuring insert

Type

MI 6140

Construction

Springloaded and replaceable

Diameter

6.0mm standard, other diameters possible

Length

$E = L + X + 35 \text{ mm}$

Material

SS 316 - (Wst 1.4401) standard, other materials possible

Insulation

Mineral insulated MgO

Sensor

Single or Duplex Pt100

Style / Connection

3-wire system standard, 4-wire system optional

Accuracy

According IEC 60751 class B

Range

-220 / +600°C

Testing

Tested 200 Volt @ 20°C

Insulation

Minimum 100 M ohm

Options

Transmitter 4-20mA

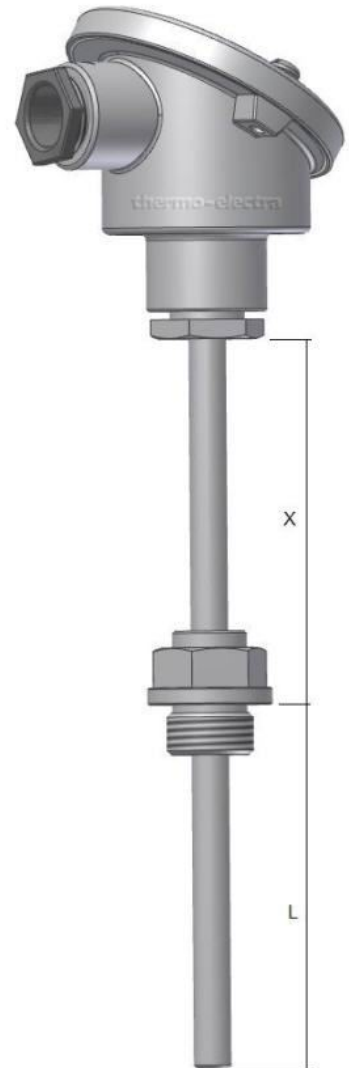
In-Head transmitter, standard or Ex version. Please select from our standard range or specify your own standard

Swing-Cover head

DAN, transmitter direct mounted on measuring insert

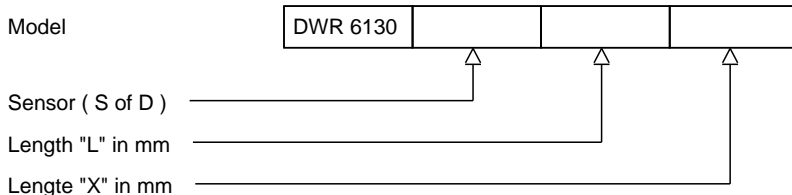
High Swing-Cover head

DAN-H, transmitter in cover, insert with ceramic block



Ordering code

*This datasheet is purely indicative, build-up of model code may vary from this datasheet.



H6-1 Rev. 07/07