

# ME 2070 Laboratory resistance thermometer with PVC cable and tinned copper braiding

## Sheath

<b>Construction</b>	Closed end tube
<b>Material</b>	SS 316 - (Wst 1.4401) standard, other materials possible
<b>Insulation</b>	MgO
<b>Diameter</b>	0.5 - 0.6 - 0.8 - 1.0- 1.6 - 2.0mm customer to specify Duplex from 1.0mm diameter
<b>Length</b>	Customer to specify, maximum 200mm

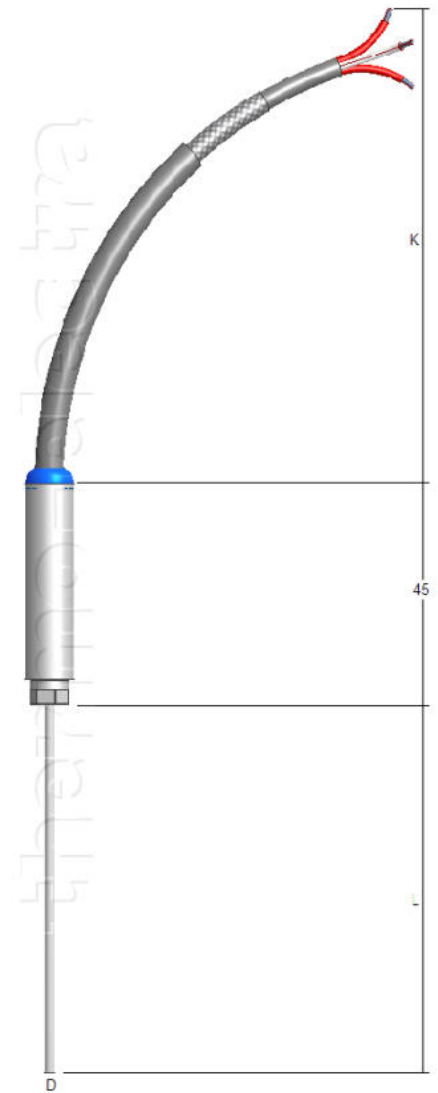
## Lead wire

<b>Lead wire type</b>	PVC insulated flexible cable with tinned copper braiding up to +80°C
<b>Lead wire length</b>	1000mm standard, other lengths possible

## Sensor

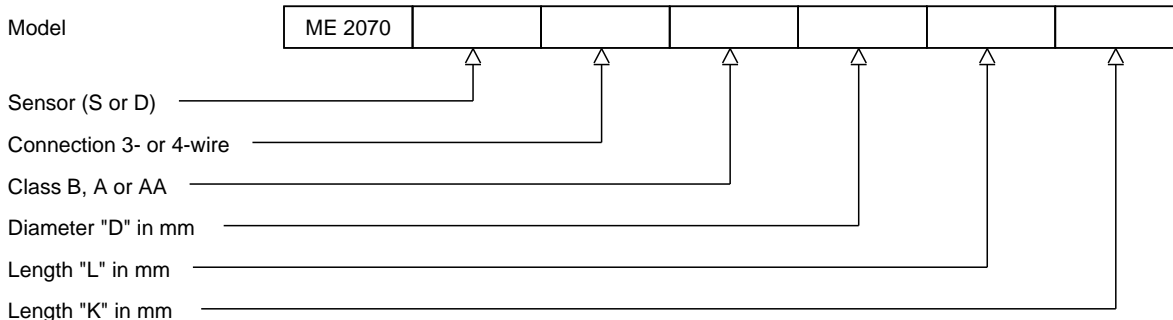
Single or Duplex Pt100

<b>Accuracy</b>	According IEC 60751 Cl.B, A or AA
<b>Style / Connection</b>	3-wire system standard, 4-wire system optional
<b>Range</b>	Standard -20 / +400°C, optional -220 / +250°C
<b>Testing</b>	Tested at 500 Vdc @ 20°C
<b>Insulation resistance</b>	Minimum 100Mohm



## Ordering code

\*This datasheet is purely indicative, build-up of model code may vary from this datasheet.



H2-1 Rev.0 7/07