

DWK 6043 Vibration proof thermocouple

Design

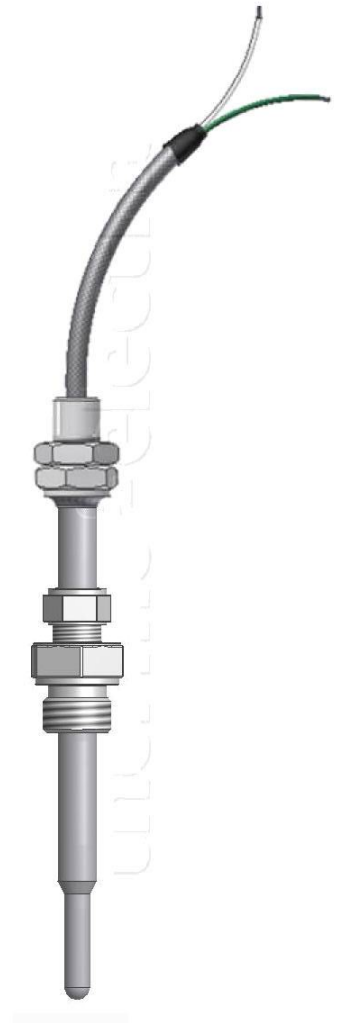
Applications	Designed for use on combustion engines
Protection tube	
Construction	Closed-end tube
Material	SS 316 - (Wst 1.4401) standard, other materials possible
Insertion length	150mm standard, other lengths possible
Diameter	12mm, tip 9mm standard, other diameters possible
Process connection	1/2"NPT, 3/4"NPT, 1/2"BSP, M20x1.5 or other threads possible
Temperature	800°C maximum

Lead wire

	Heat and oil resistant armoured extension cable 250°C
Lead wire length	1000mm standard, other lengths possible

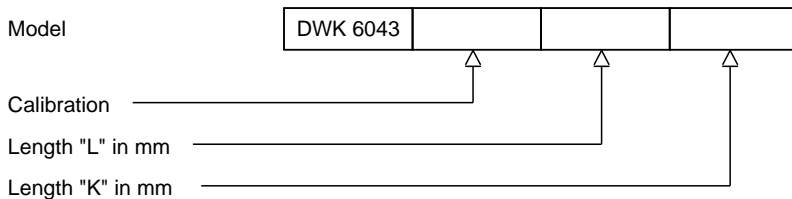
Sensor

Thermocouple	K, J or L
For duplex thermocouple	KK, JJ, or LL
Accuracy	According IEC 60584-1
Hot junction	Insulated
Testing	Tested 500 Volt @ 20°C
Insulation	Minimum 100Mohm
Design	Vibrationproof



Ordering code

*This datasheet is purely indicative, build-up of model code may vary from this datasheet.



H6-1 Rev. 07/07