

LEX55 Ex ec certified RTD sensor with transmitter for zone 2 and 22

Construction

ATEX execution	II 3 G Ex ec IIC T6...T1 Gc
ATEX certificate	DEKRA 18ATEX0024 X
IECEX execution	Ex ec IIC T6...T1 Gc
IECEX certificate	IECEX DEK 17.0046X
Suitable for zone	2 and 22
Ingress protection	IP65 / IEC529
Ambient temp. range	-45°C...+80°C, this can be limited depending on the materials applied such as cables, connection heads, junction boxes and transmitters.

Connectionhead

Model	DAN-AK (showed), other Ex ec certified heads possible
Material	Aluminium, plastic or stainless steel
Cable Entry	M20x1.5 standard, other threads possible

Transmitter

Model	Select from our standard range or specify your standardized brand
Range	Customer to specify
Head mounted	Standard mounted on insert, replaces the terminal block
Alternative mounting	Mounted in the cover of the head

Measuring insert

Construction	Springloaded and replaceable
Springaction	>10mm standard, >40mm optional
Diameter	6.0mm standard, other diameters possible
Type	Mineral insulated (MgO)

Sensor

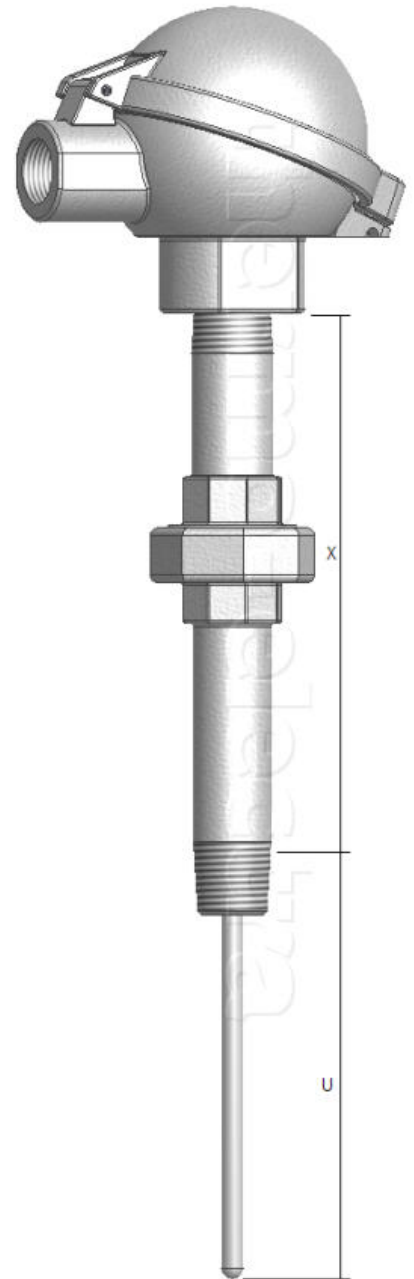
Execution	Single or Duplex Pt100
Connection	3-wire standard, 4-wire optional
Accuracy	According IEC 60751 Cl. B, A or AA
Measuring range	-20°C...+400°C standard, -220°C...+600°C optional

Extension

Type	Nipple - Union -nipple standard, other constructions possible
Material	Stainless Steel
Style / Connection	1/2"NPT standard, other threads possible

Datasheet notification

The LEX55 is the replacement for the LEX45 Ex nA
 This datasheet is purely indicative, build-up of model code may vary from this datasheet



Ordering code

*This datasheet is purely indicative, build-up of model code may vary from this datasheet.

