

LEX55 Ex ec certified thermocouple with transmitter for zone 2 and 22

Construction

ATEX execution	II 3 G Ex ec IIC T6...T1 Gc
ATEX certificate	DEKRA 18ATEX0024 X
IECEX execution	Ex ec IIC T6...T1 Gc
IECEX certificate	IECEX DEK 17.0046X
Suitable for zone	2 and 22
Ingress protection	IP65 / IEC529
Ambient temp. range	-45°C...+80°C, this can be limited depending on the materials applied such as cables, connection heads, junction boxes and transmitters.

Connection head

Model	DAN-AK (showed), other Ex certified connectionheads possible
Material	Aluminium, Stainless Steel or Plastic
Cable entry	M20x1.5 standard, other threads possible

Transmitter

Model	Select from our standard range or specify your standardized brand
Range and model	To specify
Head mounted	Standard mounted on insert, replaces the terminal block
Alternative mounting	Mounted in the cover of the head

Sensor

Construction	Springloaded and replaceable
Type	Mineral insulated (MgO)
Diameter	6.0mm standard, other diameters possible

Thermocouple

Calibration	K, T, J, E, R, S, B, U, N or L
For duplex	KK, TT, JJ, EE, RR, SS, BB, UU, NN or LL
Accuracy	According to IEC 60584-1

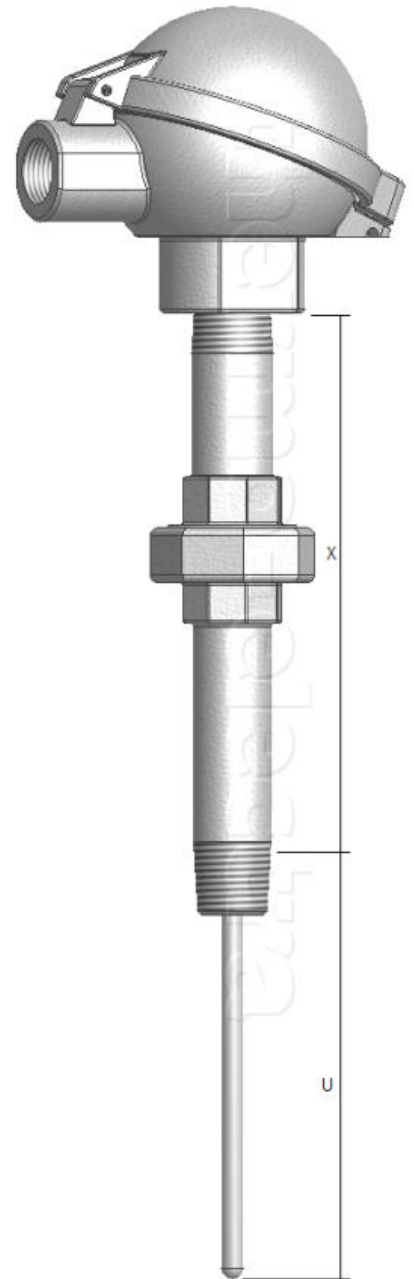
Extension

Type	Nipple - union - nipple standard, other constructions possible
Material	Stainless Steel
Style / Connection	1/2"NPT
Length	150mm standard, other lengths possible
Springaction	>10mm standard, >40mm optional

Datasheet notification

This datasheet is purely indicative. build-up of model code may vary from this datasheet

The LEX55 is the replacement for the LEX45 Ex nA



Ordering code

*This datasheet is purely indicative, build-up of model code may vary from this datasheet.

